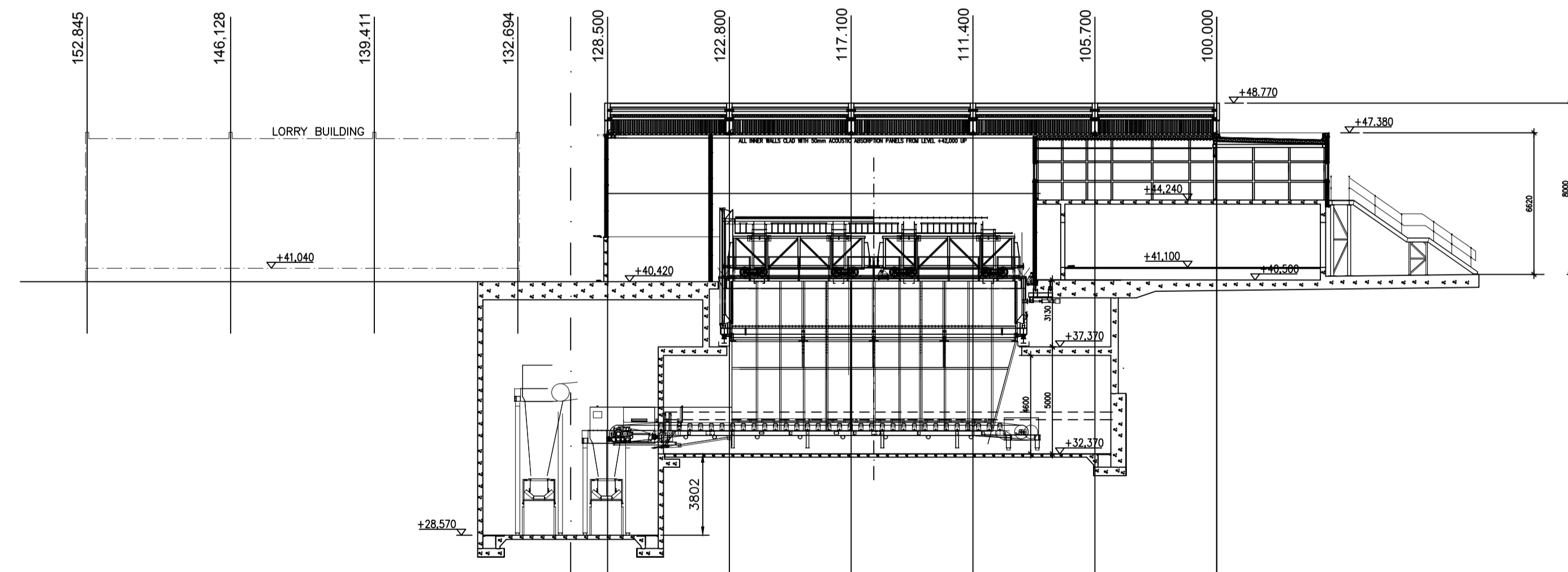


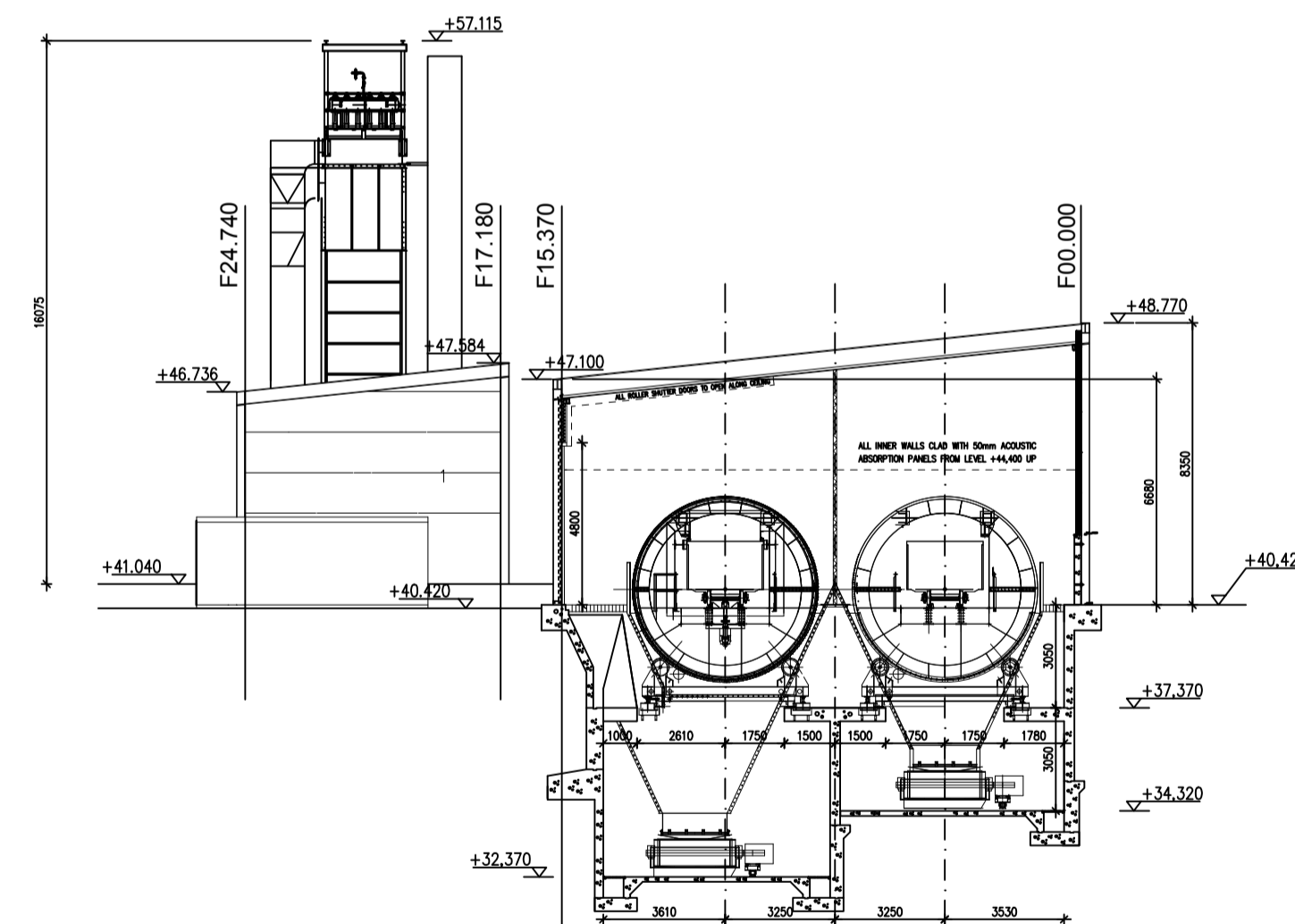
SECTION B-B

[REFER TO DRG. QS-000206-01-D-046]



SECTION A-A

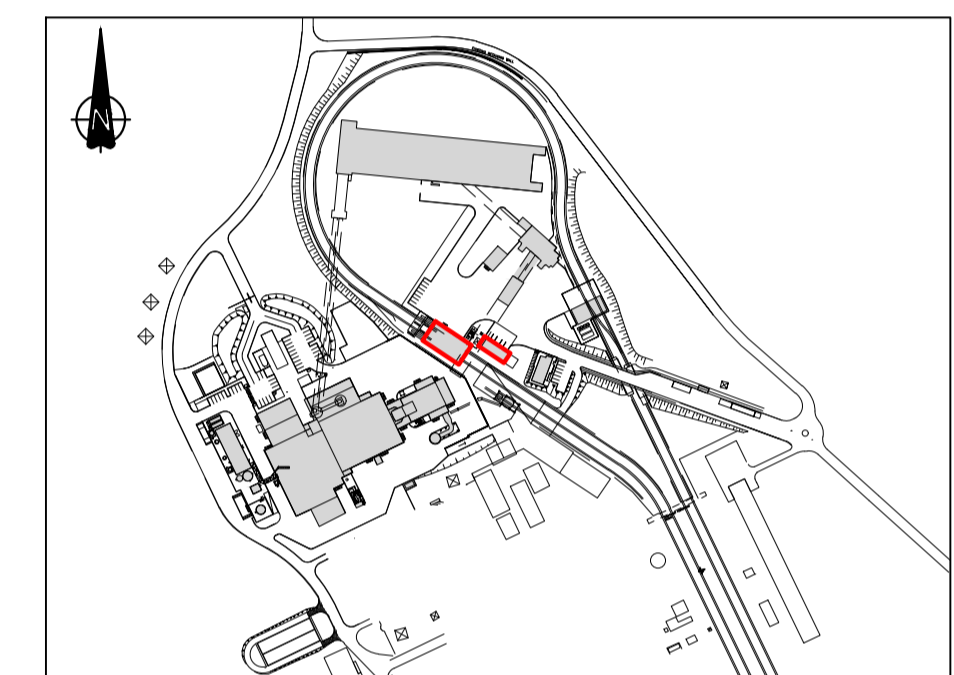
[REFER TO DRG. QS-000206-01-D-046]



SECTION C-C

[REFER TO DRG. QS-000206-01-D-046]

KEY PLAN:



		ESBI	BnM					
0	18.10.18	ISSUED FOR PLANNING	SB	HOK	PK	PN	BH	
REV	DATE	REVISION DESCRIPTION	DRN	VER	APP	DRN	VER	APP
<small>©COPYRIGHT © ESB INTERNATIONAL LIMITED ALL RIGHTS RESERVED. NO PART OF THIS WORK MAY BE MODIFIED, REPRODUCED OR COPIED IN ANY FORM OR BY ANY MEANS - GRAPHIC, ELECTRONIC OR MECHANICAL, INCLUDING PHOTOCOPYING, RECORDING, TAPING OR USED FOR ANY PURPOSE OTHER THAN ITS DESIGNATED PURPOSE, WITHOUT THE WRITTEN PERMISSION OF ESB INTERNATIONAL.</small>								
PURPOSE OF ISSUE - PRELIMINARY UNLESS INDICATED CLIENT APPROVAL <input type="checkbox"/> PLANNING <input checked="" type="checkbox"/> TENDER <input type="checkbox"/> CONSTRUCTION <input type="checkbox"/> AS-BUILT <input type="checkbox"/>								
CLIENT		ESB						
PROJECT		WEST OFFALY POWER TRANSITION TO BIOMASS						
ENGINEER DESIGN								
CONTRACT		WOP - PHASED TRANSITION TO BIOMASS						
DRAWING TITLE		EXISTING RAIL TIPPLER BUILDING & EXISTING LORRY UNLOADING BUILDING SECTIONS						
PRODUCTION UNIT		CIVIL & ENVIRONMENTAL ENGINEERING						
		One Dublin Airport Central, Dublin Airport, Cloughran, Co. Dublin Tel: 353 1 703 8000 Email: marketing@esbi.ie Web: www.esbinternational.ie ESB International is a trading name of ESB Engineering & Facility Management Ltd. Registered Office: as above Registered in Ireland No. 155249						
PRODUCED	VERIFIED	APPROVED	APPROVAL DATE					
KMcG	HOK	PK	18.10.18					
CLIENT REF	NO. OF SHTS	SIZE	SCALE					
	1	A1	1:200					
DRAWING NUMBER		SHEET		REV				
QS-000206-01-D460-048								